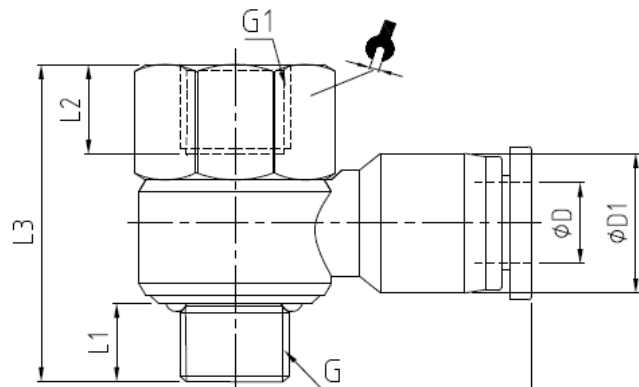




RACCORDS INSTANTANÉS POLYMÈRES

SÉRIE RP65F - ÉQUERRE MÂLE BSP CYLINDRIQUE & MÉTRIQUE ORIENTABLE AVEC BANJO TRAVERSANT



Réf. Air-techniques	øD	G''	G1''	L1	L2	L3	L4	øD1		
RP65FM504	4	M5	M5	3.5	5.5	20	20.5	11.5	8	10
RP65F1804	4	G1/8	G1/8	5.5	8.5	29	23.5	11.5	14	10
RP65F1404	4	G1/4	G1/4	7.5	11	35	25.5	11.5	17	10
RP65FM506	6	M5	M5	3.5	5.5	20	22	13.5	8	10
RP65F1806	6	G1/8	G1/8	5.5	8.5	29	23.5	13.5	14	10
RP65F1406	6	G1/4	G1/4	7.5	11	35	25.4	13.5	17	10
RP65F3806	6	G3/8	G3/8	7.5	12	41	29.5	13.5	21	10
RP65F1808	8	G1/8	G1/8	5.5	8.5	29	26.5	15	14	10
RP65F1408	8	G1/4	G1/4	7.5	11	35	28.9	15	17	10
RP65F3808	8	G3/8	G3/8	7.5	12	41	29.8	15	21	10
RP65F1208	8	G1/2	G1/2	10	14	47.5	32.5	15	24	10
RP65F1810	10	G1/8	G1/8	5.5	8.5	32	30.5	19	14	10
RP65F1410	10	G1/4	G1/4	7.5	11	36	32.6	19	17	10
RP65F3810	10	G3/8	G3/8	7.5	12	41	33	19	21	10
RP65F1210	10	G1/2	G1/2	10	14	47.5	36	19	24	10
RP65F1412	12	G1/4	G1/4	7.5	11	36	33.5	21.5	17	10
RP65F3812	12	G3/8	G3/8	7.5	12	51	35.5	21.5	21	10
RP65F1212	12	G1/2	G1/2	10	14	47.5	36.5	21.5	24	10